



ME CORNER SOFA

TECHNICAL SPECIFICATIONS

Norde

Designed by
Erdem Akan

INTERIOR STRUCTURE BEECH HARDWOOD FRAME AND ZIGZAG BOW

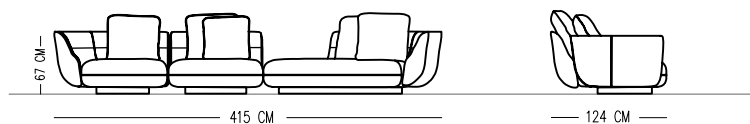
SEAT CUSHION HR FOAM

BACK HR FOAM

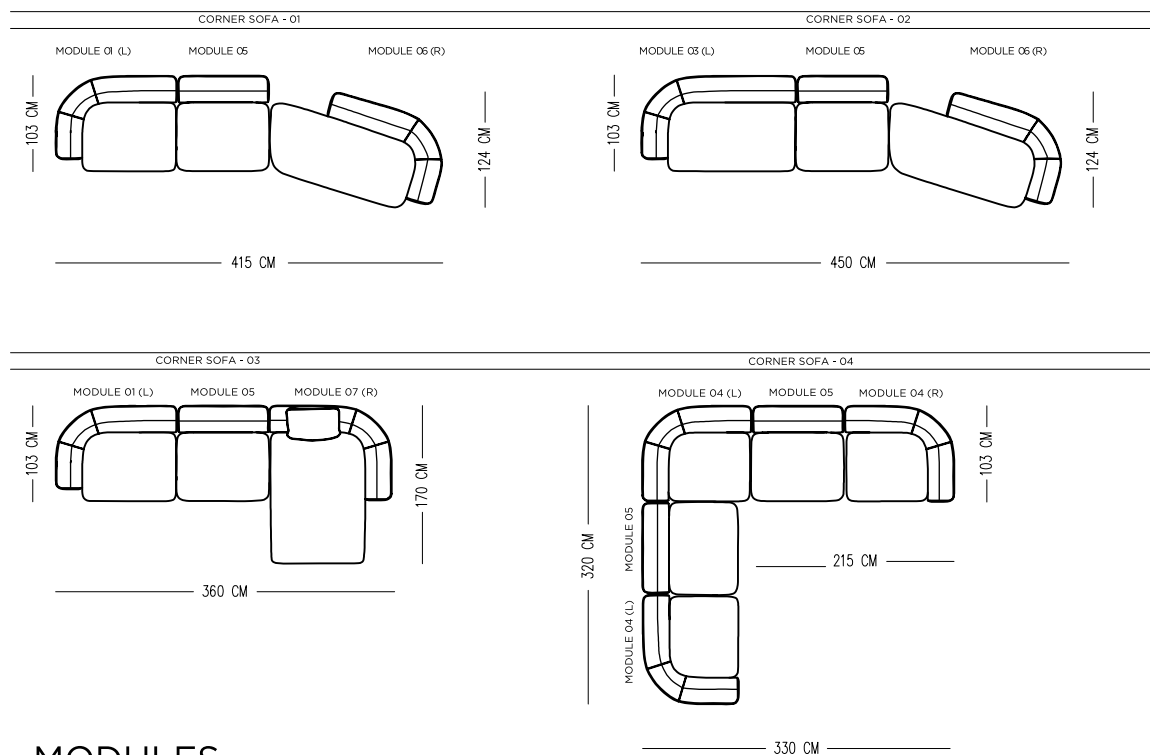
UPHOLSTERY TIGHT

MAINTENANCE ALL DECORATIVE CUSHIONS ARE GOOSE DOWN AND SILICON MIX, QUANTITY AND DIMENSIONS ARE AS PER TECHNICAL.

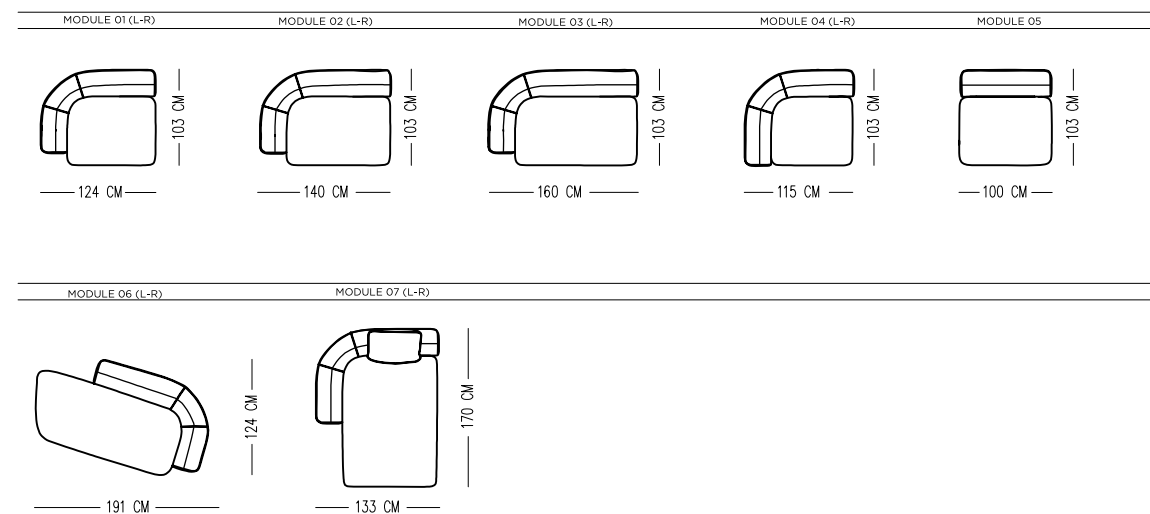
We recommend shaking and fluffing-up the cushions regularly to maintain the shape. This should be done after removing the cushions from the structure for improved air circulation. For maintenance of fabric and leather, please contact your retailer.



STANDARDS



MODULES



Catalog product-fabric

N-+A50/Linen
14510

Back fabric

N-+A72/Leather
Khaki

Catalog product-Legs

Laquer Painted On Wood (Matt)
N-03K19

Alternative fabric

Linen, Linen teddy, Suede, Leather and
Boucle