



VIBE ARMCHAIR

TECHNICAL SPECIFICATIONS

Norde

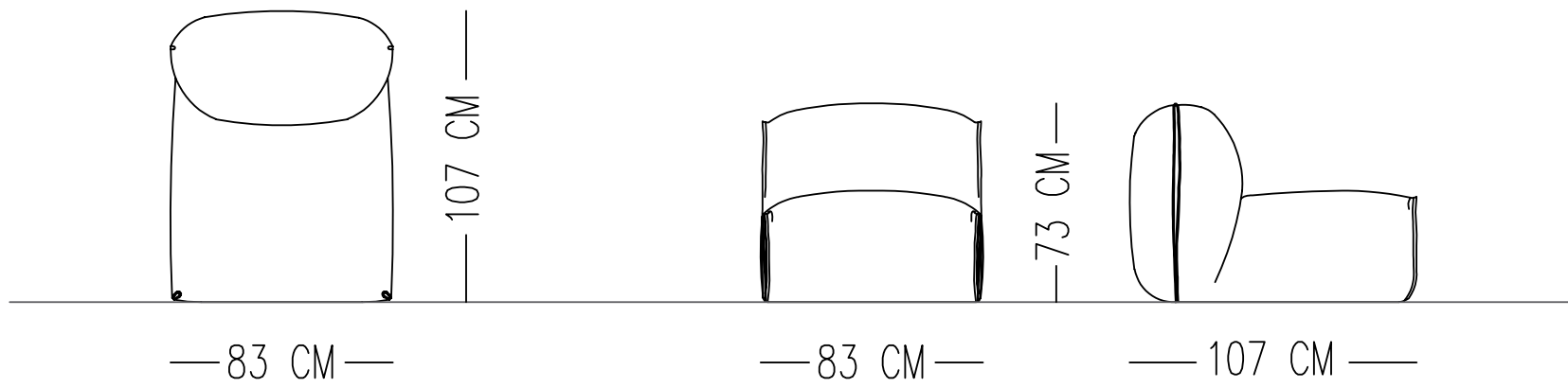
Designed by
Samet Baker

INTERIOR STRUCTURE SOLID WOOD AND ELASTIC COLUMN

SEAT CUSHION HR FOAM

BACK HR FOAM

UPHOLSTERY TIGHT



Catalog product-fabric

N-A64/Linen
2090

Catalog product-Legs

Hidden leg

Alternative fabric
Linen,Curl and Plush Linen